

HD DIGITAL VIDEO SWITCHER

# SE-2000



The Datavideo SE-2000 is a rugged and very portable five channel HD video & audio switcher designed to excel in a demanding high-definition production environment.

The SE-2000 switcher not only meets your request for HD quality 1920 x 1080i or 1280 x 720P, but also provides an array of simple-to-operate features, including

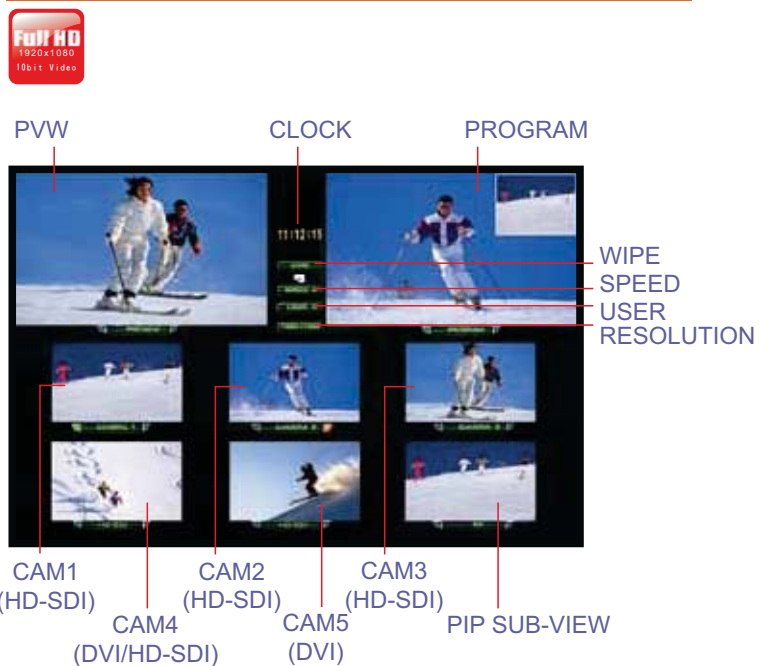
up to 14 pre-stored logos, digital clock display, five user setup, DVI-D connection for use with presentation software and titling software solutions such as Datavideo CG-350, and many more features.

Whether you're working in worship, education or conducting a live outside broadcast or shooting inside a production studio, the Datavideo SE-2000 HD video and audio switcher enables you to switch seamlessly between video and audio sources and blend high-quality digital content on the fly, even without external genlock, thanks to the built in TBC.

## FEATURES

- HD resolution: 1920 X 1080i & 1280 X 720P
- Input configuration:
  - 4 x HD-SDI & 1 x DVI-D or
  - 3 x HD-SDI & 2 x DVI-D.
- Output Configuration:
  - Program: Full HD output, HD-SDI and HD-YUV format
  - Preview: DVI-D
- Preview (PVW) out with multi-image
- DVI-D for presentation software and simple title
- LOGO insertion, allow up to 14 pre-store logos in up to 128 x 96 pixel resolution to be keyed
- 4 channel input audio mixers with XLR connectors.
- Audio / video synchronization switching
- Lumakey, real-time simple titling display
- Picture in Picture, Picture Freeze & Fade to Black.
- 5 individual speed keys for instant selection with take effect
- 5 users preset memory
- Tally signal output
- 13 Transition with optional borders (Width, Soft or Hard edge)

### Multi images PVW out & Clock display



COVER PANEL



REAR PANEL



FEATURES

LOGO & Clock



Audio Mixer, provide balanced audio inputs and outputs



CG Overlay



Audio follow video synchronization switching



Speed key & Take



RS-232 & Tally Interface



PiP



DC IN 12V 5A



Multi-image monitoring



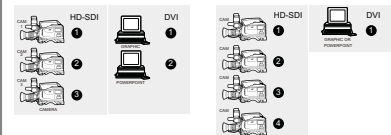
+48V XLR Microphone



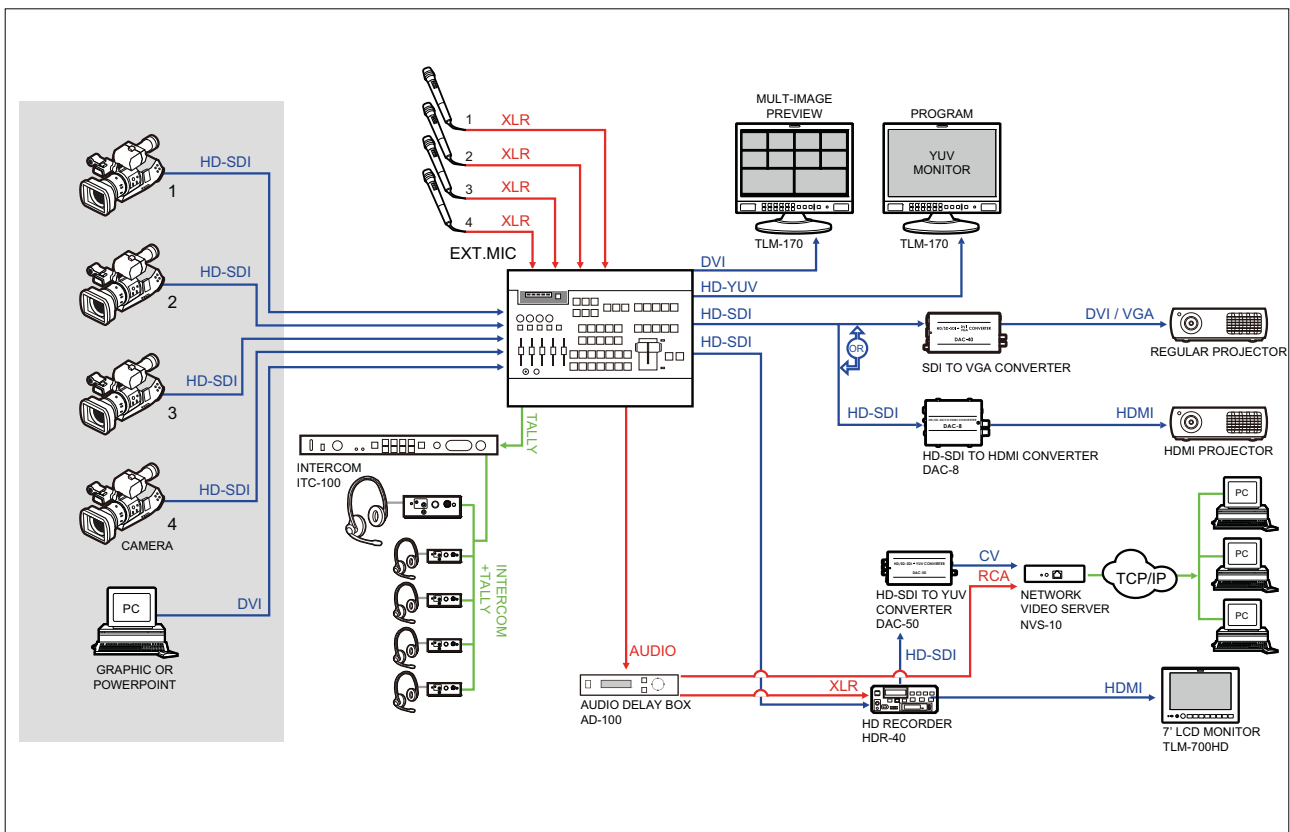
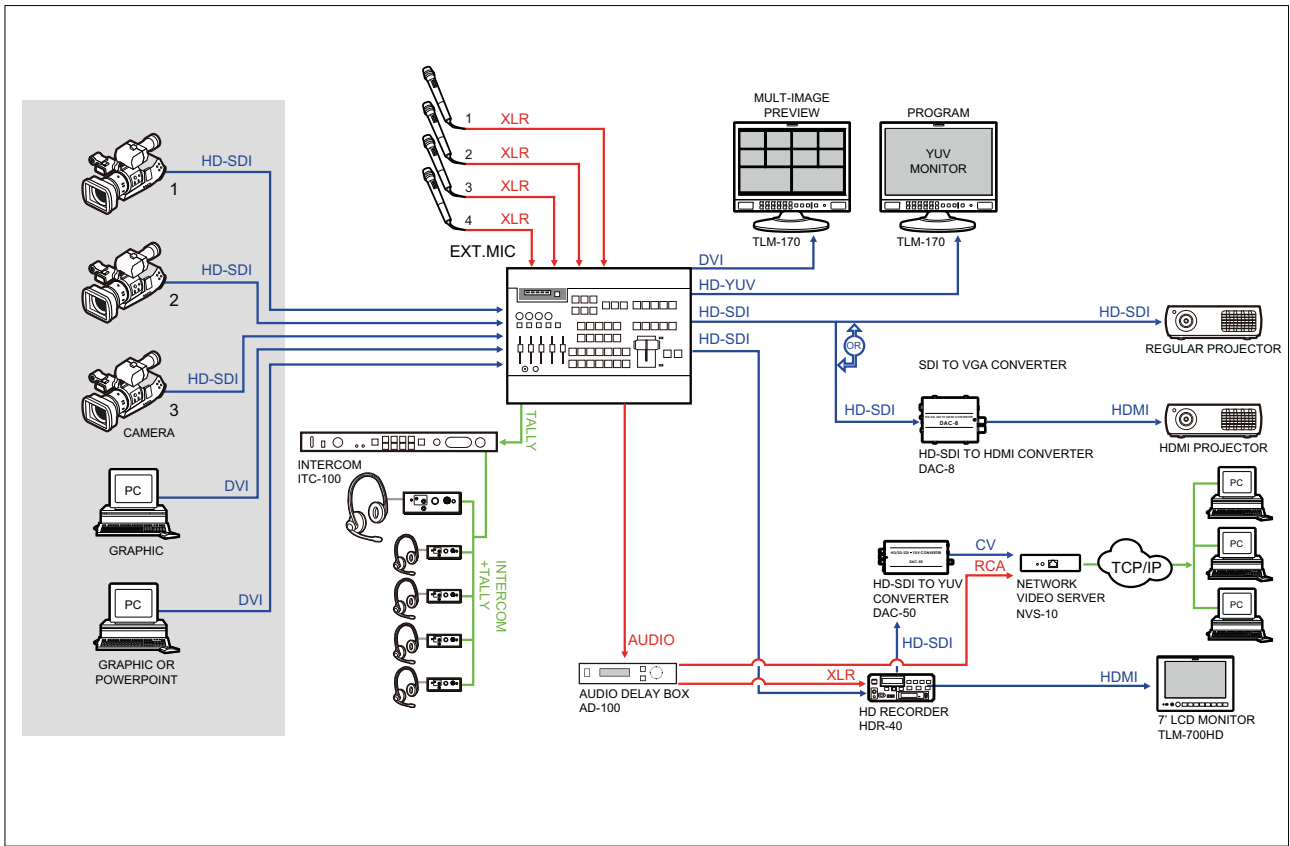
Selectable inputs:

3HD-SDI+2DVI

4HD-SDI+DVI



## SETUP DIAGRAM



## SPECIFICATIONS

### Input:

- 4 x BNC connector for HD -SDI input + 1 x DVI-D input or
- 3 x BNC connector for HD -SDI input + 2 x DVI-D input
- Output: 2x HD-SDI output, 1x HD-YUV output, and 1x DVI-D output
- Program output:
- 2x HD-SDI output, 1x HD-YUV output
- Preview output
- 1x DVI-D output
- Multi image display in PVW output:
- PVW output includes 6x monitoring, 1x PVW and 1x PGM

### Audio:

- 4-CH XLR balanced audio input separate channel,
- 2-CH XLR balanced audio output.
- Switchable Line and MIC mode for input Audio

### HD-SDI signal:

- Complied with SMPTE 292M standard
- Output return loss : More than 15 dB (5MHz to 750MHz) More than 10 dB (750MHz to 1.5GHz)
- Output level : 0.8 Vpp ± 10%
- Rise time : Less than 270 ps
- Fall time : Less than 270 ps
- Difference between rise time and fall time within 100 ps
- Alignment jitter : Less than 0.2 UI
- Timing jitter : Less than 1.0 UI
- Eye aperture ratio : More than 90%
- DC offset : 0 ± 0.5V
- Equalizer use 5C-FB cable support 100 meters
- HD-YUV Output:
- Bandwidth 30MHz < +/- 3dB
- S/N Ratio > 50 dB
- DG <3 degree, DP <3% ( Base on U, V signal analyze)

### Audio:

- Bandwidth 20~20KHz < +/- 3dB
- S/N Ratio > 70 dB
- THD. < 0.1%
- Support Inter Gen-Lock for the input videos

### SE- 2000 Unit Dimensions

- Width: inches/ 429 mm
- Depth: inches/ 330 mm
- Height: inches/ 85 mm
- Net Weight: lbs/ 3.7 Kgs
- Power Supply: 110/220V
- Input: 100-240V, 50-60HZ
- Output: 12V/5A

## RESOLUTION

### INPUT

1920\*1080

50i  
60i  
59.94i

1280\*720

50P  
60P  
59P

### OUTPUT

1080i

720P

## APPLICATIONS (OPTIONAL)



TLM-170D  
17" TFT LCD HD & SD monitor



HDR-40  
HD/ SD-SDI HDD Recorder



HDR-50  
HD/ SD-SDI HDD Recorder



AD-100  
Audio Delay Box



CG-350  
HD CG Character Generator Software



DAC-8  
HD/SD-SDI to HDMI Converter



DAC-9  
HDMI to HD/SD-SDI Converter



DAC-50  
HD/SD-SDI to YUV Converter



CB-10  
3m HD YUV Cable



CB-20  
1.8m DVI to HDMI Cable